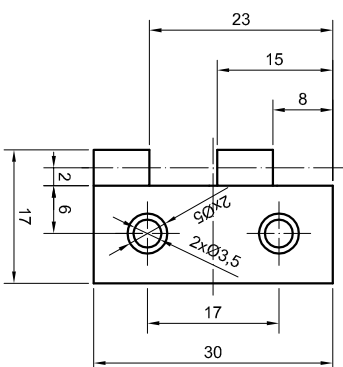
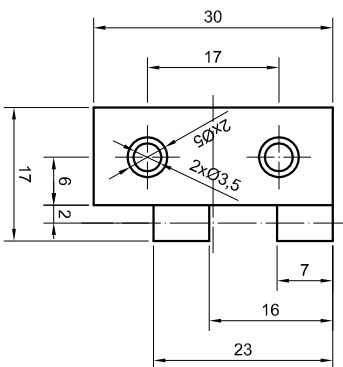
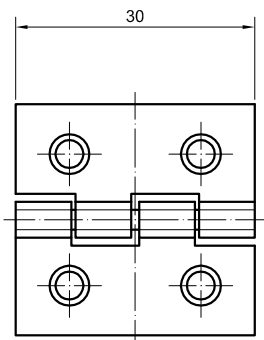
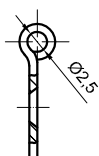
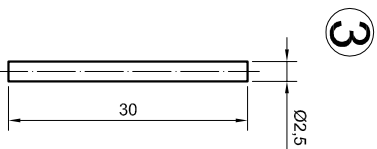



2



Galvanizing - gold colour



3	Pin					DC01	1		
2	Arm 2					DC01	1		
1	Arm 1					DC01	1		
Nr.	Part name	Drawing nr	Material	Amount	Weight	Notice			
	name	date	signature						
Design	DOMAX								
Draw	M.W.	14.04.2010							
Check	W.S.								
Part name		PLAIT HINGE							
									
		Al. Parku Kształtowanego 109 Łężyce, 84-207 Kołeczkowo tel. 058 665 82 22 fax. 058 665 81 20 www.dmxsystem.com							

Scale	Paper	Symbol	dr.n.r./dr.
1:1	A4	ZS 30	1/1