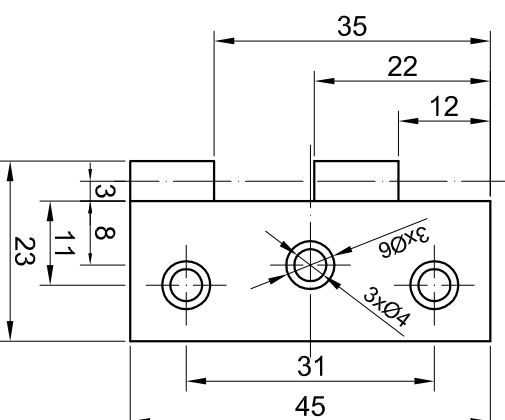
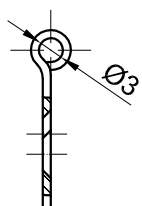
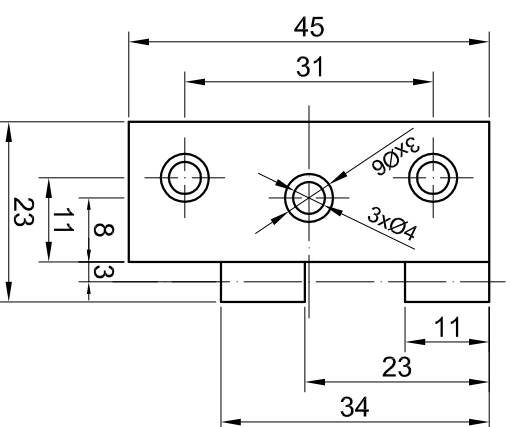
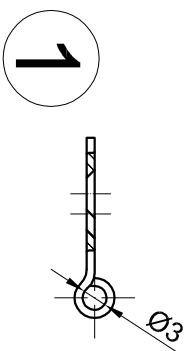
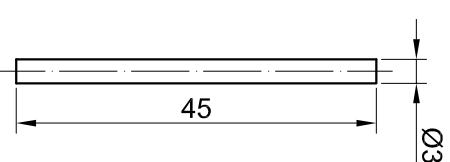


2



3



Galvanizing - gold colour

Nr.	Part name	Drawing nr	Material	Amount	Weight	Notice
3	Pin	-	DC01	1		
2	Arm 2	-	DC01	1		
1	Arm 1	-	DC01	1		

	name	date	signature
Design	DOMAX		
Draw	M.W.	14.04.2010	
Check	W.S.		



Al. Parku Krajobrazowego 109  
 Łężyce, 84-207 Kołczakowo  
 tel. 058 665 82 22  
 fax. 058 665 81 20  
 www.dmxsystem.com

PLAIT HINGE

Scale	Paper	Symbol	dr.nr./dr.
1:1	A4		1/1

ZS 45