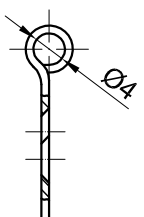
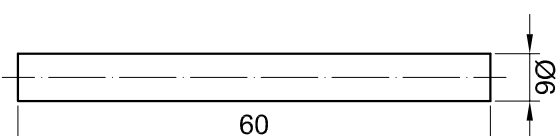
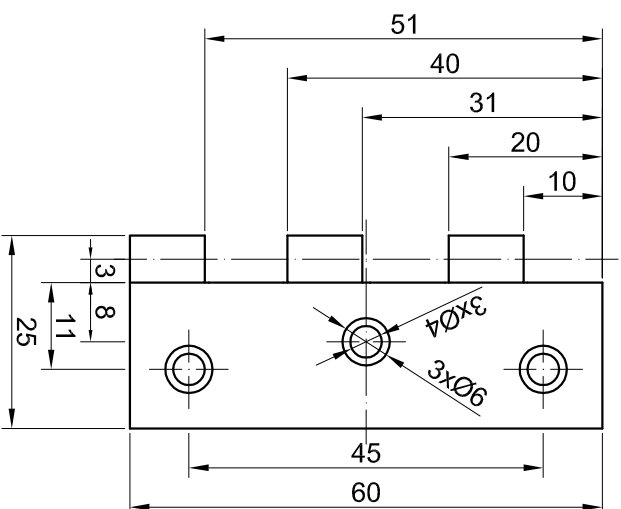
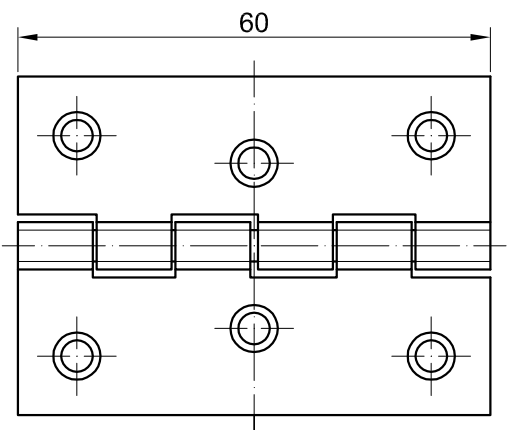


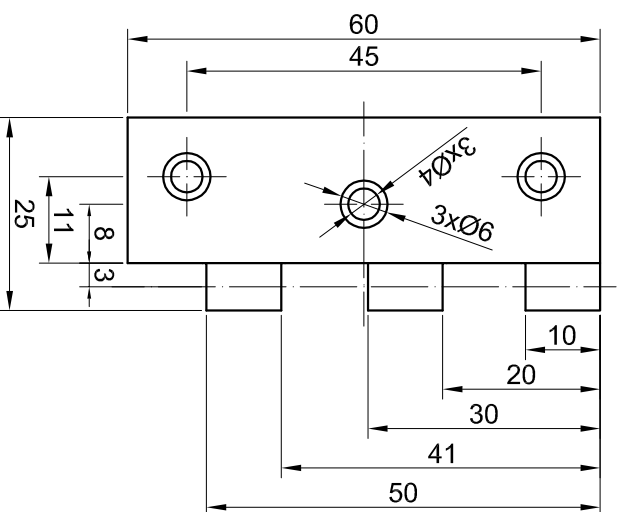
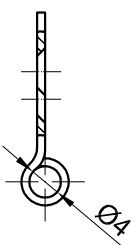
2



3



1



Galvanizing - gold colour

Nr.	Part name	Drawing nr	Material	Amount	Weight	Notice
3	Pin	-	DC01	1		
2	Arm 2	-	DC01	1		
1	Arm 1	-	DC01	1		

Design	name	date	signature
DOMAX			
Draw	M.W.	14.04.2010	
Check	W.S.		



Al. Parku Krajobrazowego 109
Leżyca, 84-207 Kołeczkowo
tel. 058 665 82 22
fax. 058 665 81 20
www.dmxsystem.com

PLAIT HINGE

Scale	Paper	Symbol	dr.nr./dr.
1:1	A3		1/1

ZS 60