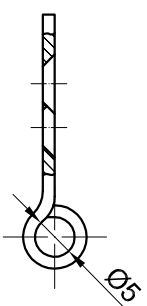
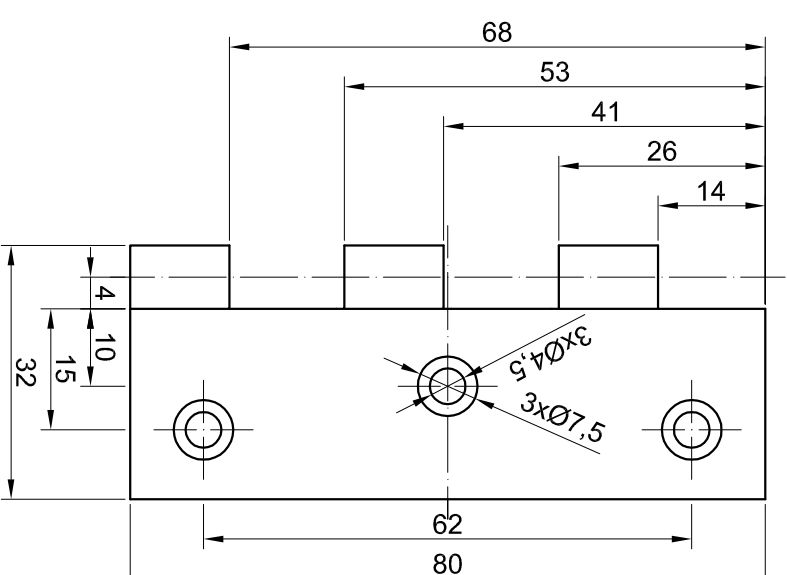
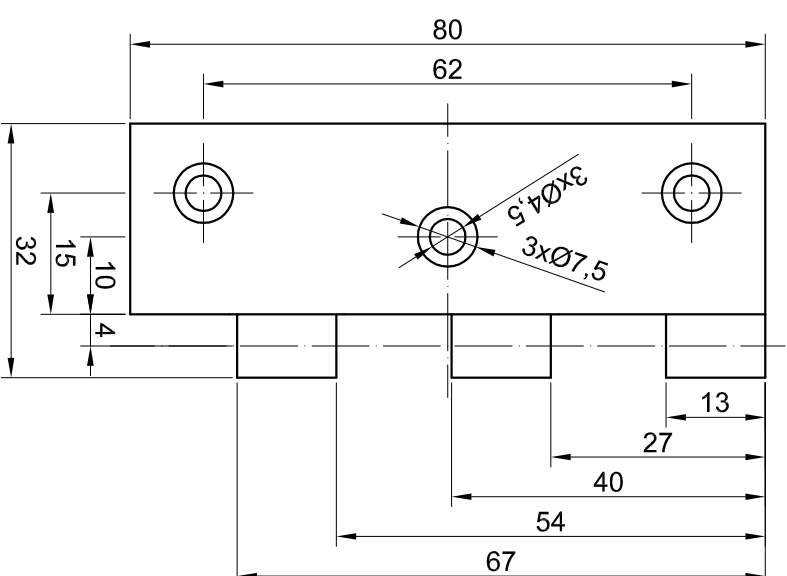
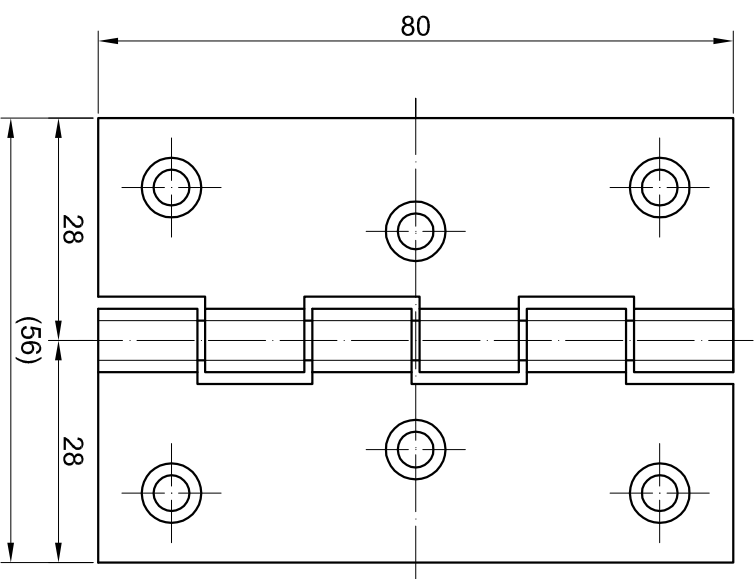
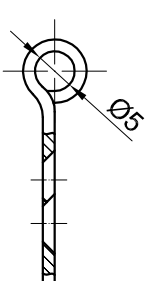


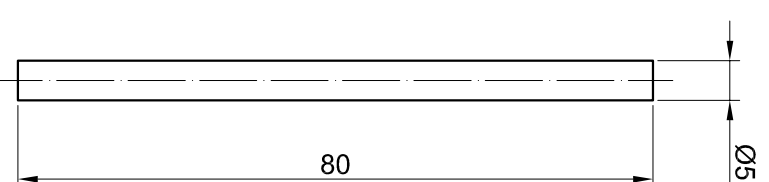
1



2



3



Galvanizing - gold colour

3	Pin	-	DC01	1		
2	Arm 2	-	DC01	1		
1	Arm 1	-	DC01	1		

Nr.	Part name	Drawing nr	Material	Amount	Weight	Notice
	name	date	signature			
Design	DOMAX					
Draw	M.W.	14.04.2010				
Check	W.S.					



Al. Parku Kształtowanego 109  
 Leżyce, 84-207 Kołczkowo  
 tel. 058 665 82 22  
 fax. 098 665 81 20  
 www.dmxsystem.com

PLAIT HINGE