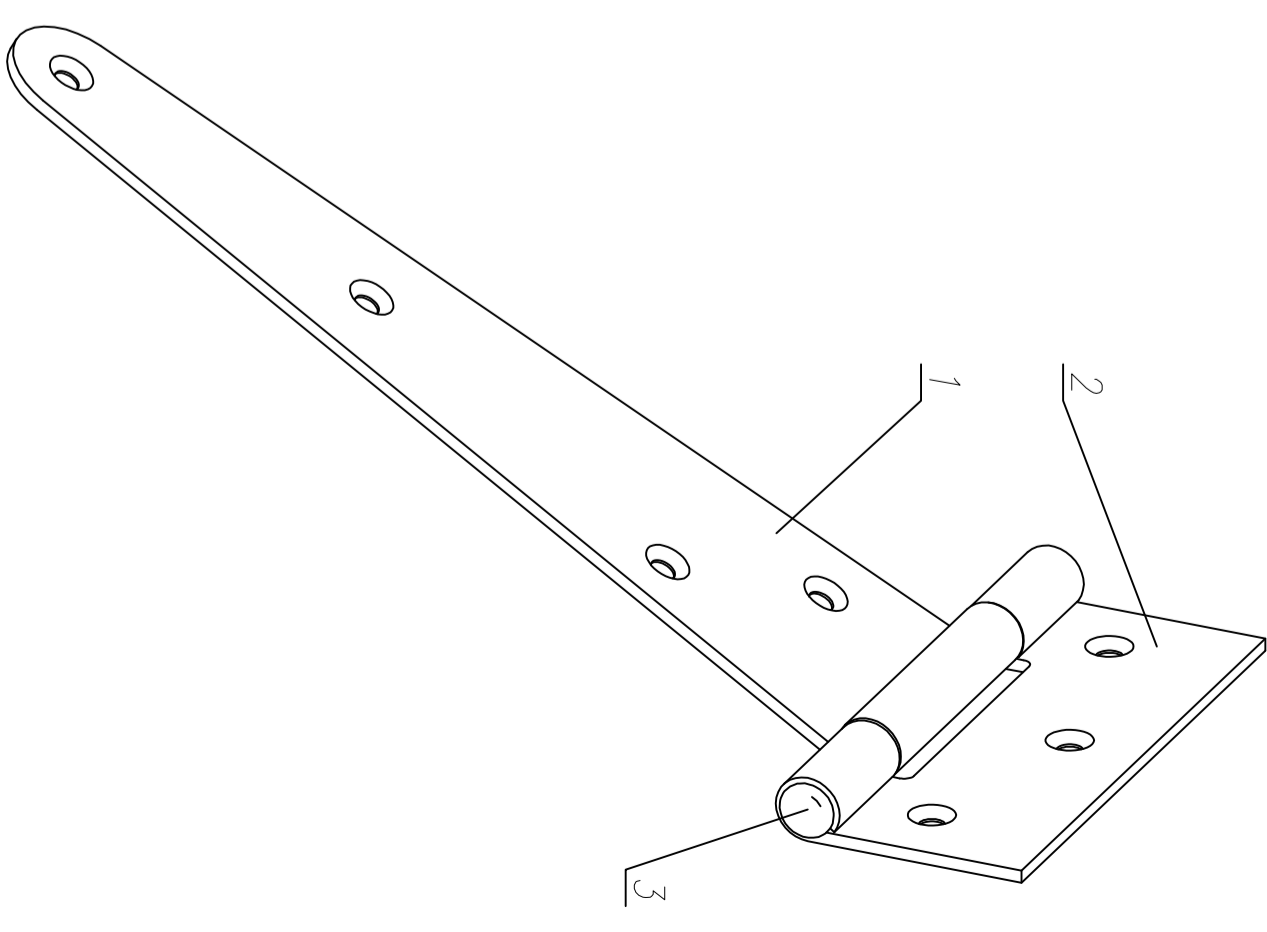
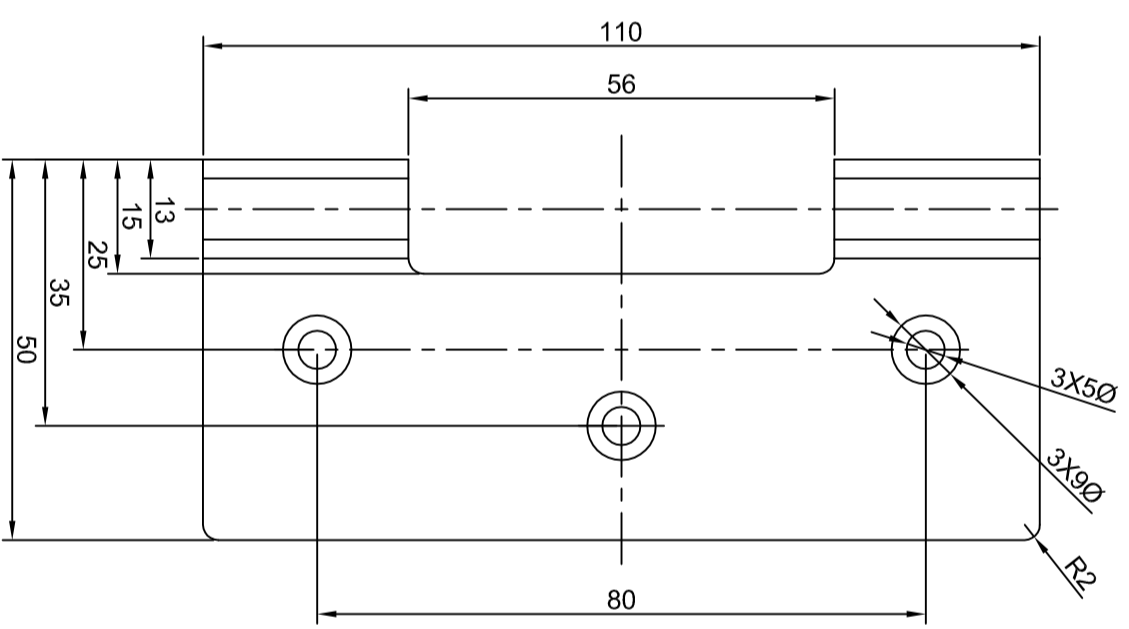
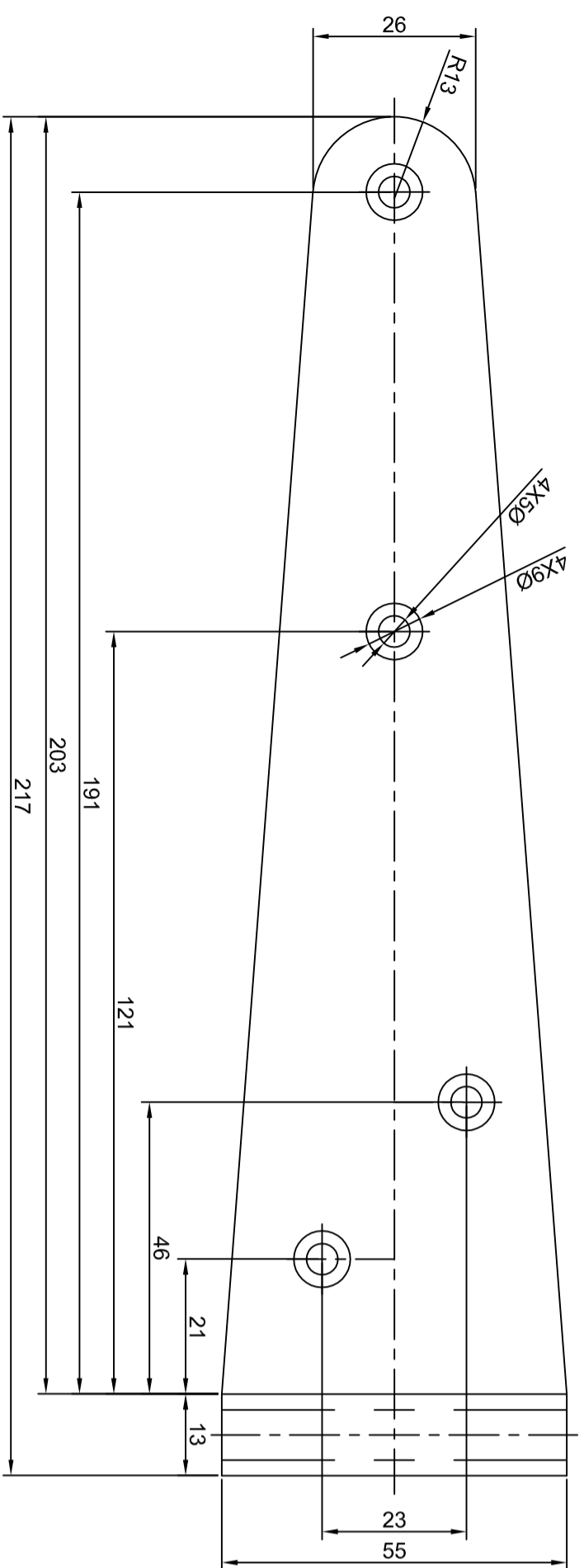
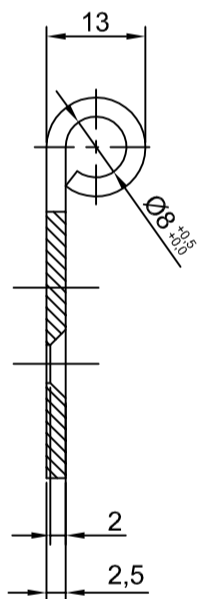


1

3

2



Galvanizing - gold colour

Nr.	Name	Drawing nr	Material	Amount	Weight	Notice
3	Pin			1		
2	Arm 2			1		
1	Arm 1			1		

Name	Name	Date	Signature
Design	DOMAX		
Draw	B.S.	15.03.2010	
Check	W.Siewkowski	24.03.2010	



Al. Parku Kropotkowskiego 109
Leżyca, 84-207 Kąkolno
tel. 058 665 82 22
fax. 058 665 81 20
www.dmxsystem.com

TEE HINGE