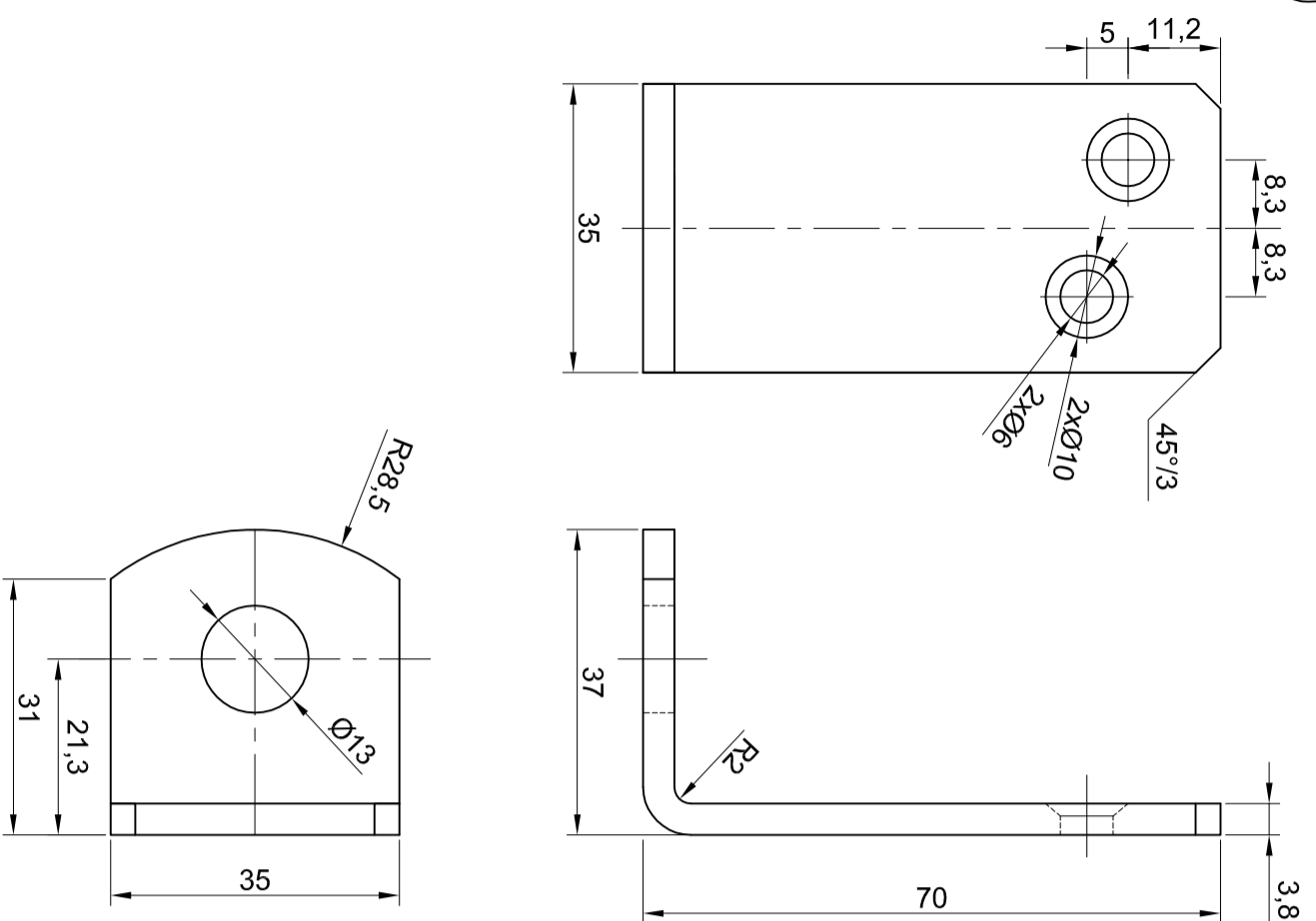
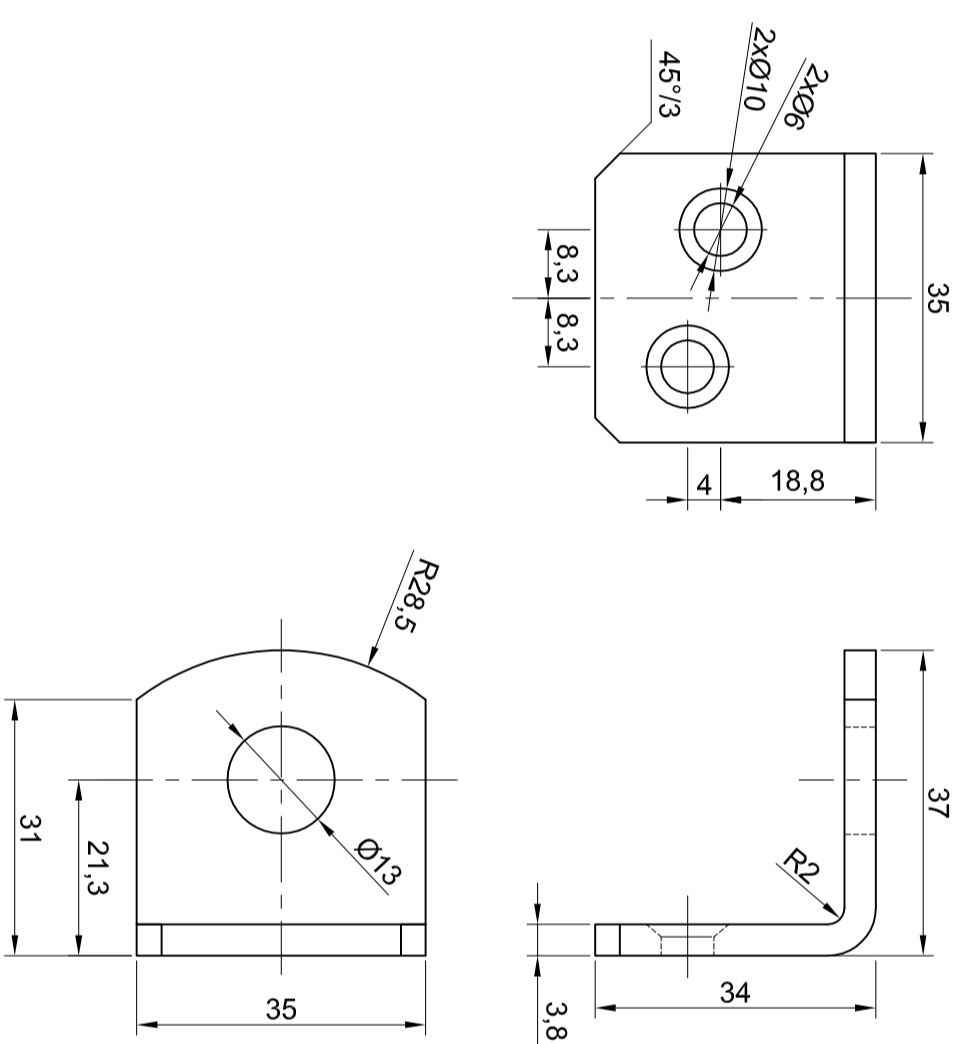


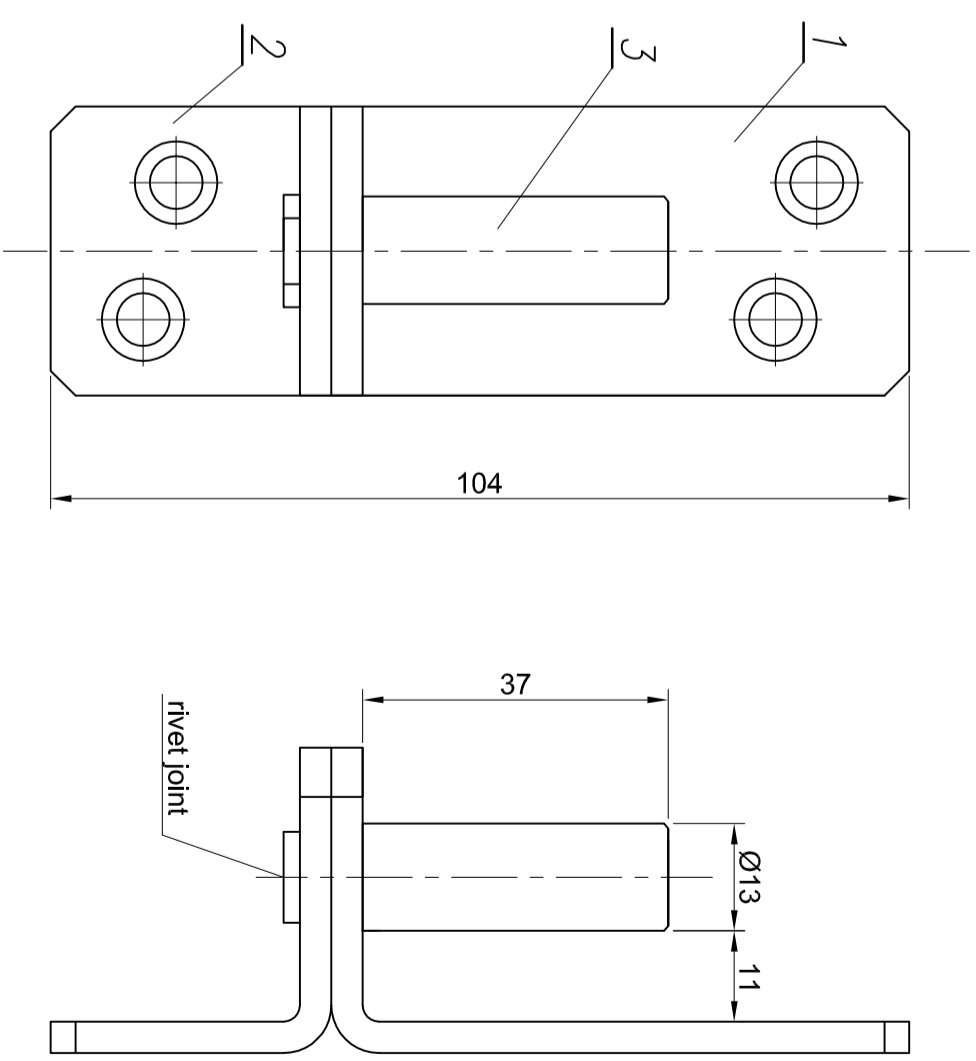
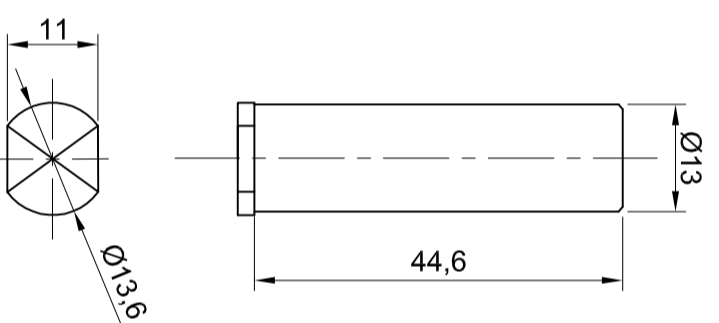
1



2



3



3	Pin	-	DC01	1		
2	Angle bar 2	-	DC01	1		
1	Angle bar 1	-	DC01	1		
Nr.	Name	Drawing nr	Material	Amount	Weight	Notice
Design	DOMAX					
Draw	M.W	07.04.2010				
Check	W.Siewkowski	15.04.2010				
Name	HINGE PIN					



Zn galv. or painted black.

Scale 1:1 Paper A3 Symbol C13/11 dr. nr/dr. 1/1