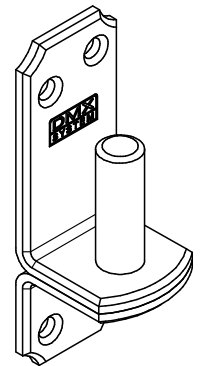
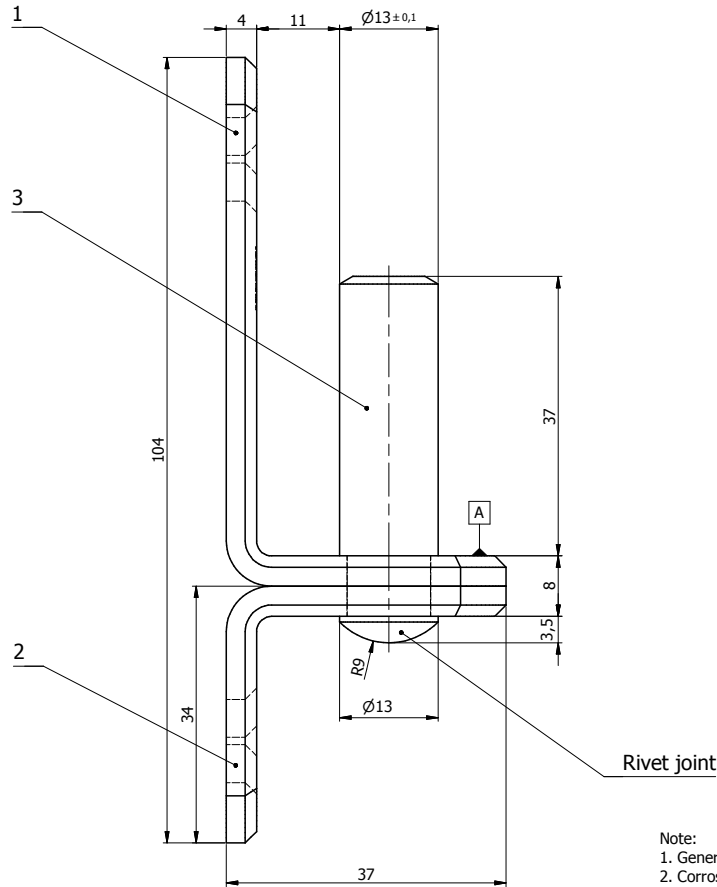
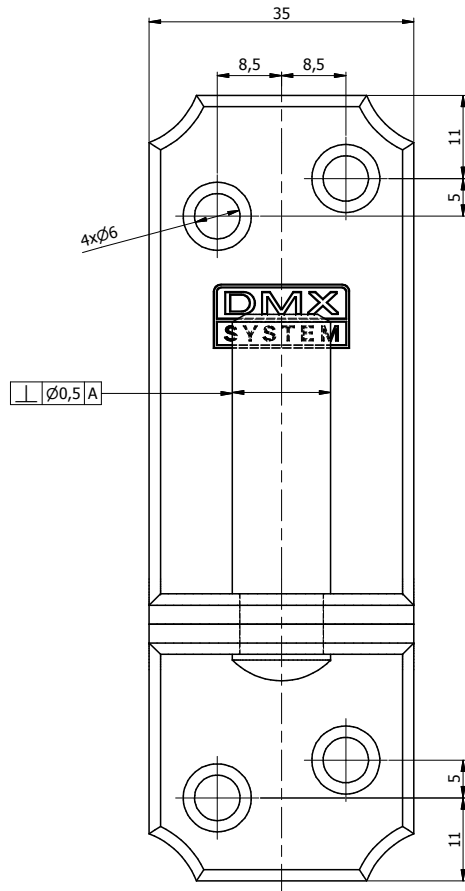


This document is the absolute property of DOMAX Sp. z o.o. This document must not be copied without the written permission of DOMAX Sp. z o.o. The contents thereof must not be disclosed to a third party nor be used for any unauthorized purpose. Contravention will be prosecuted.

Rev	Explanation	Date	Revised by	Approved by



Rivet joint

Note:

1. General tolerances EN 22768 mK.
2. Corrosion protection - powder coating 50 [µm]; RAL 9005 or similar (black).

Item	Identification	Amt.	Specification	Raw material	Surface [dm <sup>2</sup> ]	Weight [kg]
3	Pin	1	C13-T		Σ 1,25	0,213
2	Bottom member	1	C13_11-D		0,40	0,050
1	Tom member	1	C13_11-G		0,67	0,101
Design				Code		C
K. Rytlewski				Checked		Approved
K. Rytlewski				Code		C
83032				29.07.2016		Sheet
Index				Date		1/1
domax				Hinge pin C 13/11 C		Rev
DOMAX Sp. z o.o.				C 13_11 C		