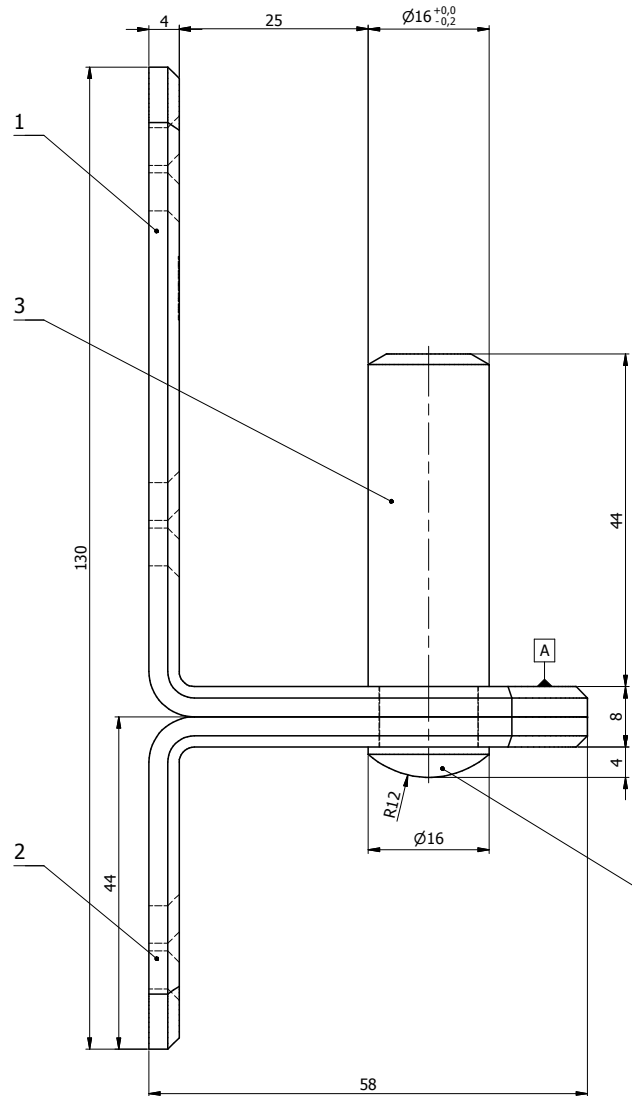
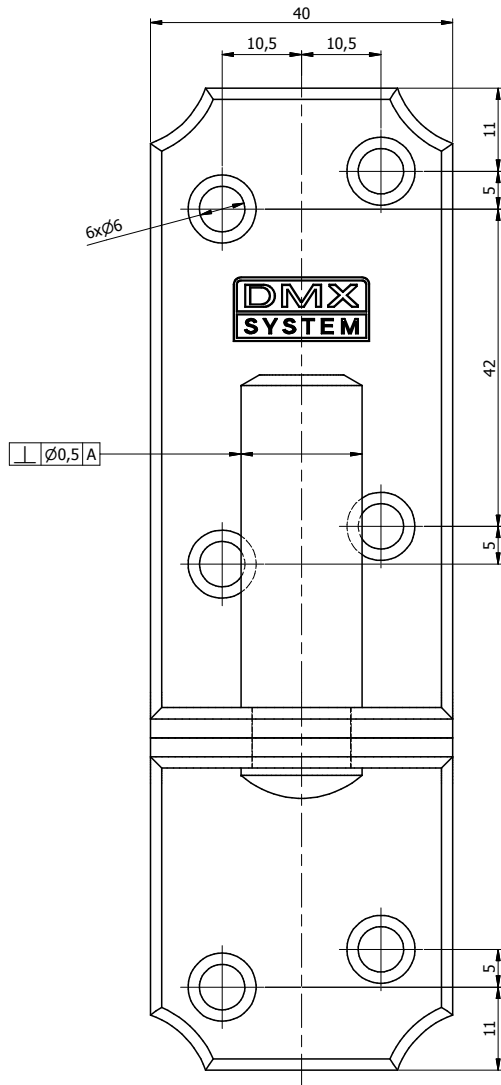
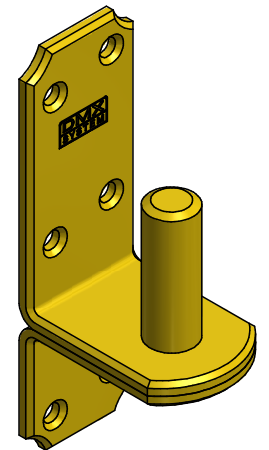


This document is the absolute property of DOMAX Sp. z o.o. This document must not be copied without the written permission of DOMAX Sp. z o.o. The contents thereof must not be disclosed to a third party nor be used for any unauthorized purpose. Contravention will be prosecuted.

Rev	Explanation	Date	Revised by	Approved by



Rivet joint



- Note:
 1. General tolerances EN 22768 mK.
 2. Corrosion protection Fe/Zn 12 acc. ISO 2081.

Item	Identification	Amt.	Specification	Raw material	Surface [dm ²]	Weight [kg]
3	Pin	1	C16-T		0,26	0,354
2	Bottom member	1	C16_25-D		0,62	0,107
1	Tom member	1	C16_25-G		0,98	0,158
Σ					1,86	0,354

Design	K. Rytlewski		Checked	Approved	Code	C	
Drawn	K. Rytlewski						
Index	8306	Date	29.07.2016				
domax		Hinge pin C 16/25				Sheet	1/1
DOMAX Sp. z o.o.		C 16_25				Rev	