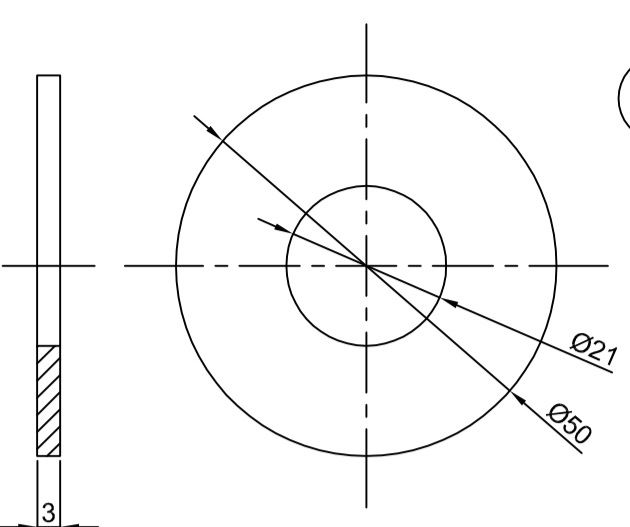
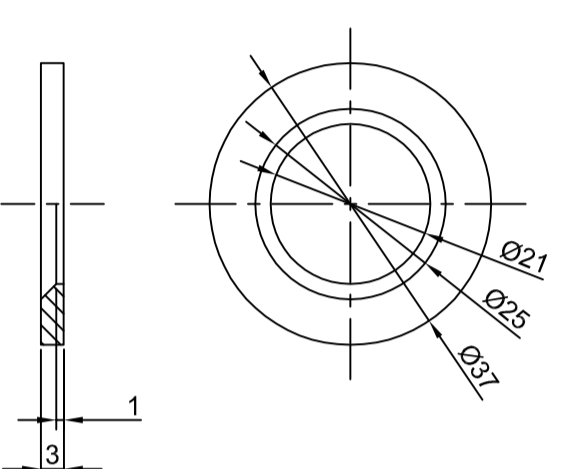


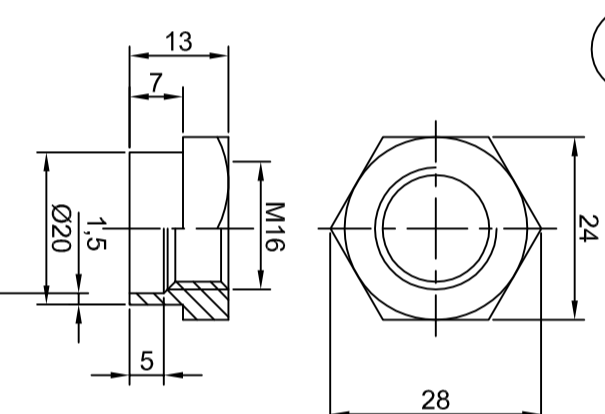
1



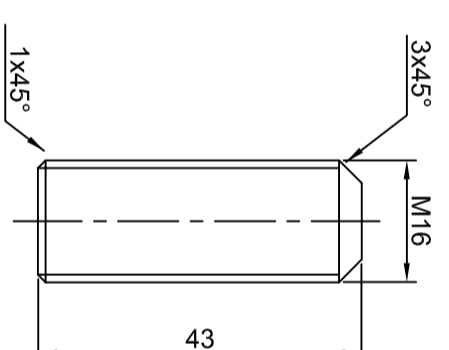
2



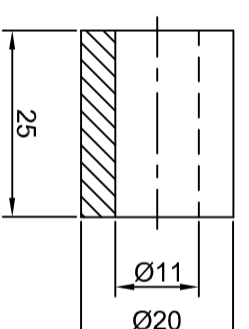
3



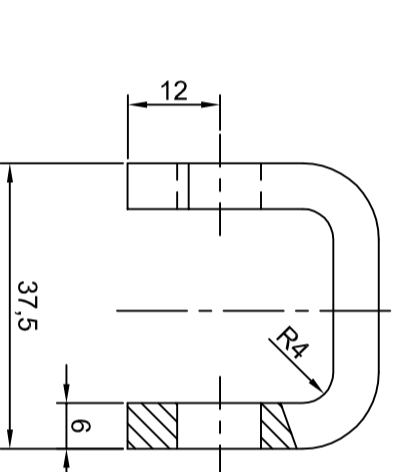
4



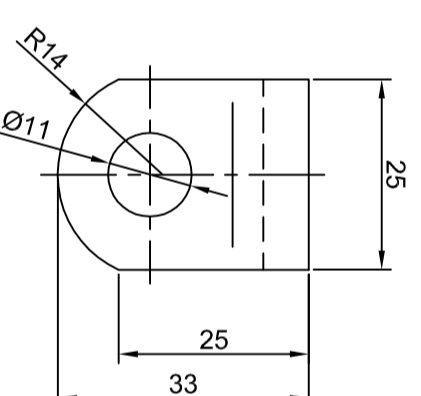
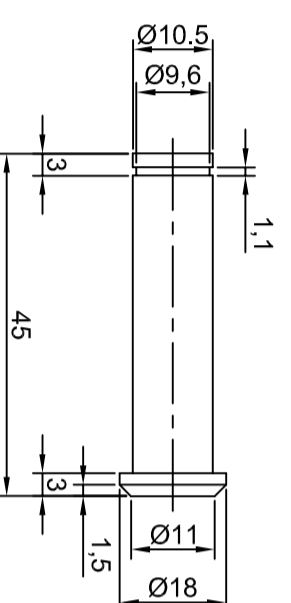
5



7



6



Galvanizing - gold colour

8	Fixing ring Z10	DIN471	DC01	1		
7	Ear		DC01	1		
6	Pin		DC01	1		
5	Tube		DC01	1		
4	Screw		DC01	1		
3	Screw fixing		DC01	1		
2	Washer		DC01	1		
1	Base		DC01	1		
Nr.	Name	Drawing nr	Material	Amount	Weight	Notice

Name

Name

Date

Signature

Design

Draw

Check

Name



Al. Parku Kropotkowskiego 109
Leżyca, 84-207 Koźcewko
tel. 058 665 82 22
fax. 058 665 81 20
www.dmxsystem.com

WELDABLE AND ADJUSTABLE HINGE

Scale

1:1

Paper

A2

Symbol

ZRS 16

dr. nr/dr.

1/1