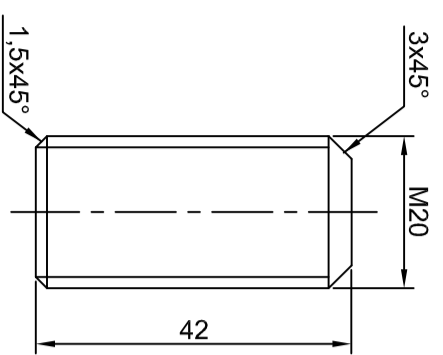
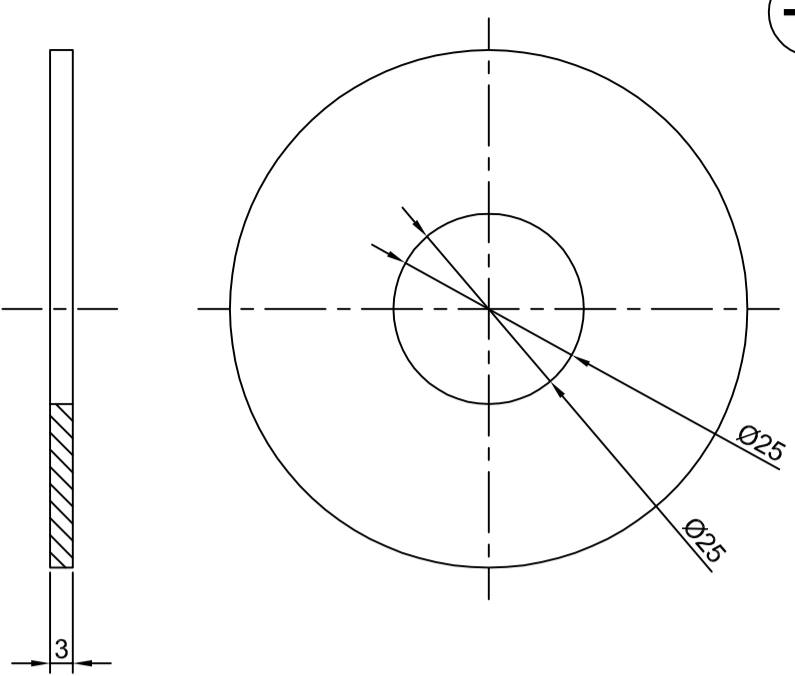


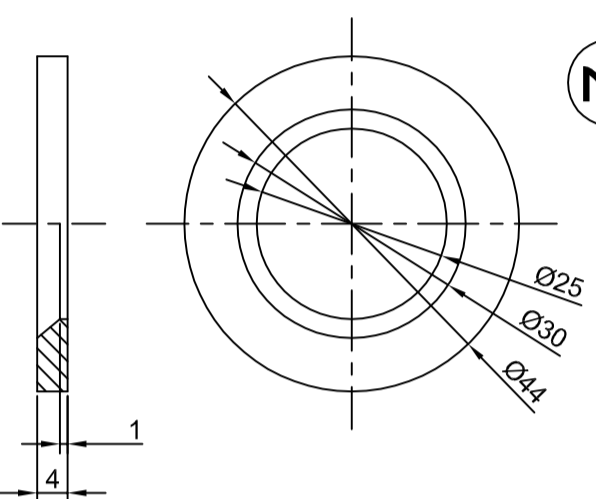
4



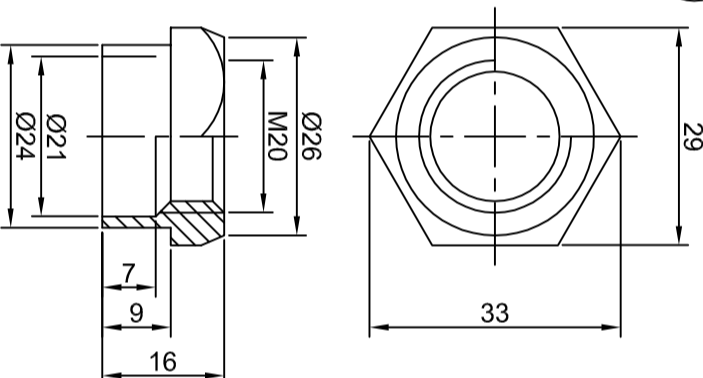
1



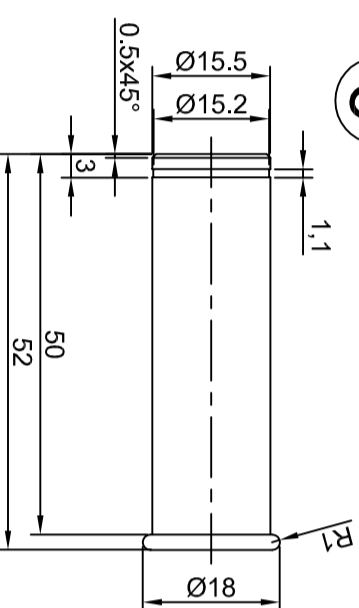
2



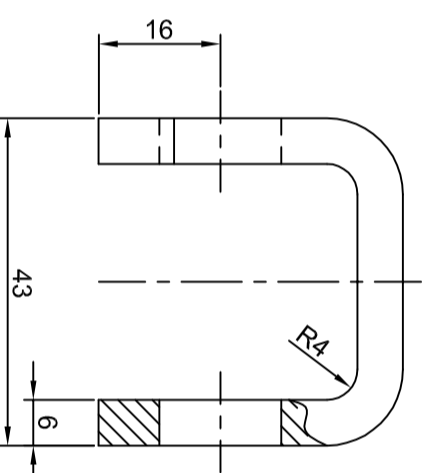
3



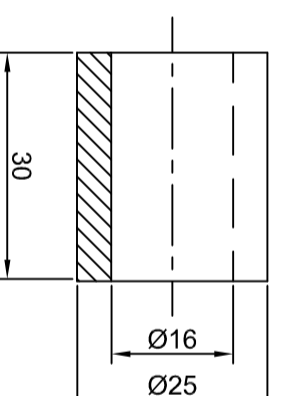
6



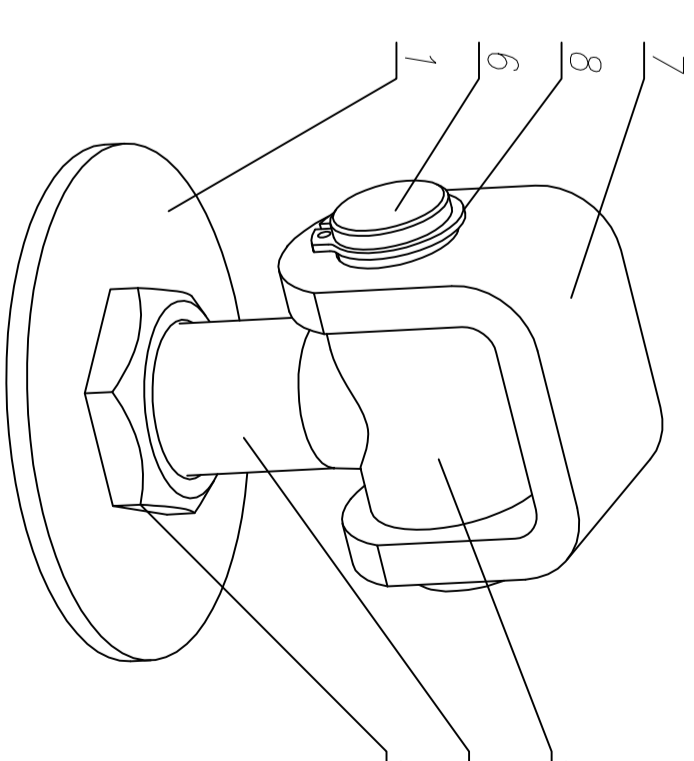
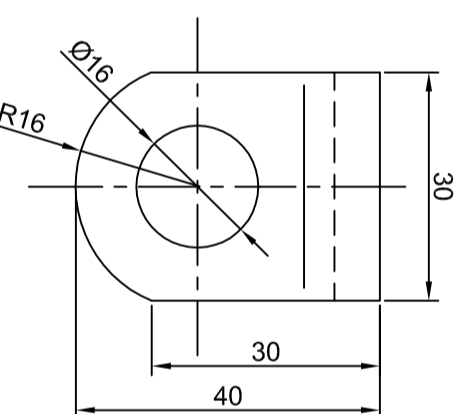
7



5



5



Galvanizing - gold colour

Nr.	Name	Drawing nr	Material	Amount	Weight	Notice
8	Fixing ring Z16	DIN471	DC01	1		
7	Ear		DC01	1		
6	Pin		DC01	1		
5	Tube		DC01	1		
4	Screw		DC01	1		
3	Screw fixing		DC01	1		
2	Washer		DC01	1		
1	Base		DC01	1		

Name

Name

Date

Signature

Design

Draw

Check

Name

Name

Scale

Paper

Symbol

dr. nr./dr.

WELDABLE AND ADJUSTABLE HINGE

ZRS 20

1/1



Al. Parku Kropidozowego 109
Leżycza, 84-207 Koźcezkowo
tel. 058 665 82 22
fax. 058 665 81 20
www.dmxsystem.com