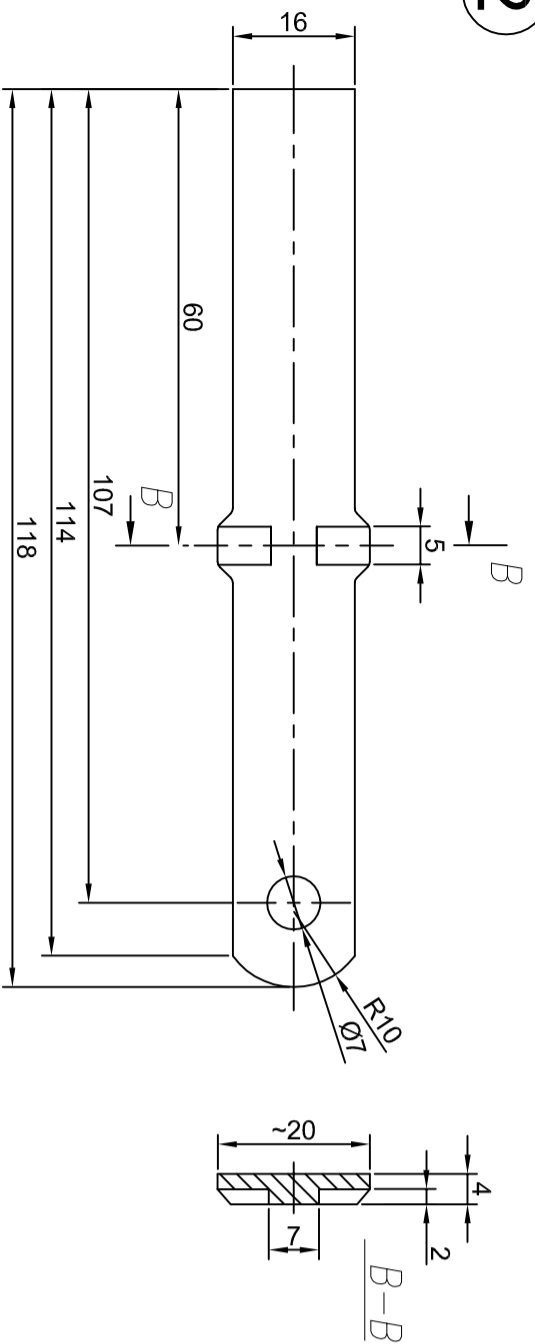
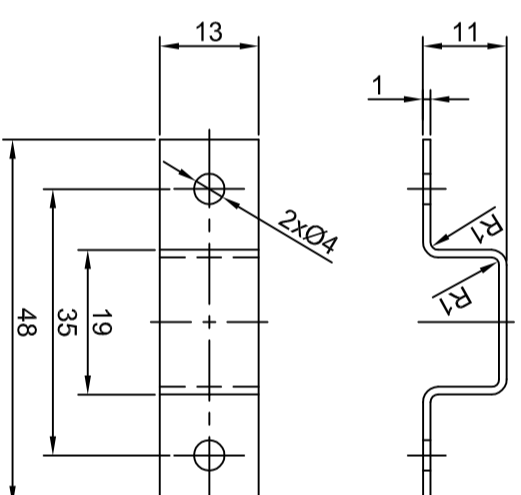


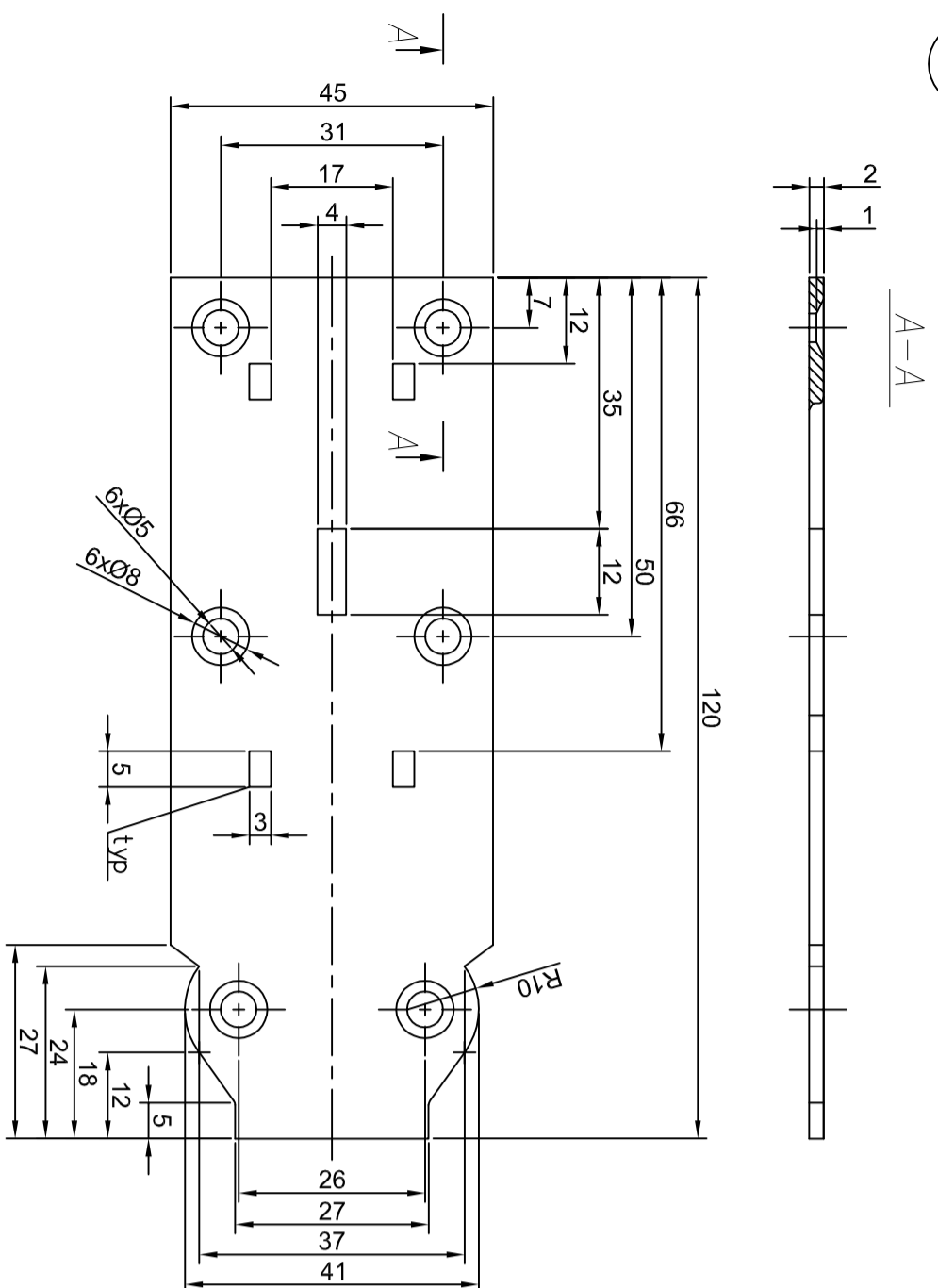
2



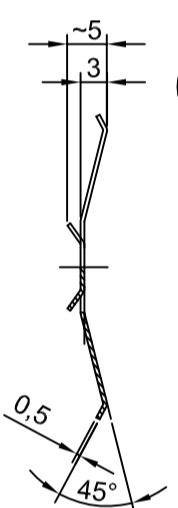
6



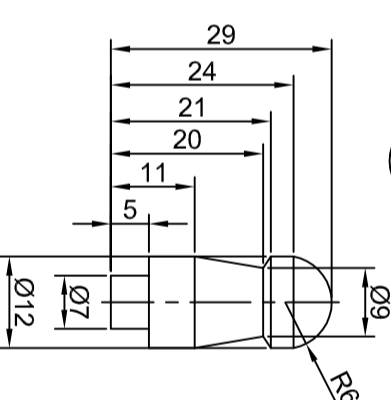
1



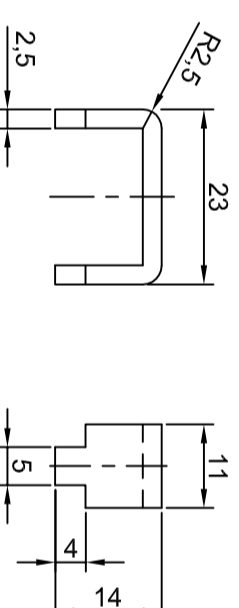
5



3



4



Nr.	Name	Drawing nr	Material	Amount	Weight	Notice
1	Base		DC01	1		
2	Bolt		DC01	1		
3	Holder		DC01	1		
4	Bolt fixing		DC01	2		
5	Spring		DC01	1		
6	Ear		DC01	1		

Name	Date	Signature
Design	DOMAX	
Draw	B.S.	
Check	W.S	
Name		

Scale	Paper	Symbol	dr. nr./dr.
1:1	A2		1/1

Door bolt, straight



At. Parku Krohobozovogo 109
Ležyca, 84-207 Káčekovo
tel. 058 665 82 22
fax. 058 665 81 20
www.dmxsystem.com