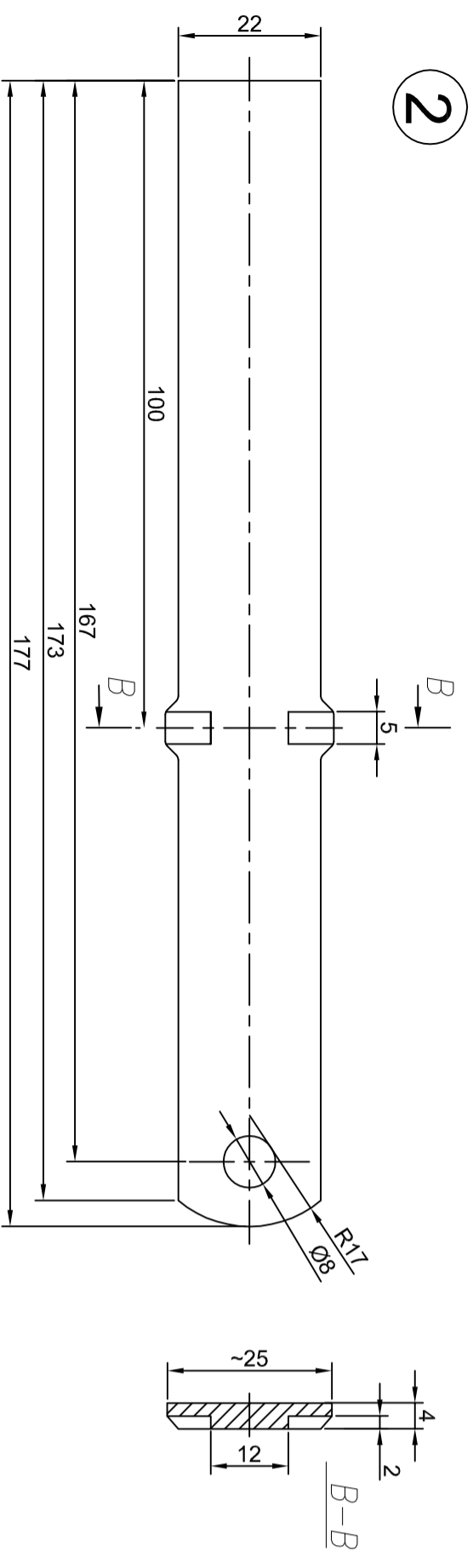
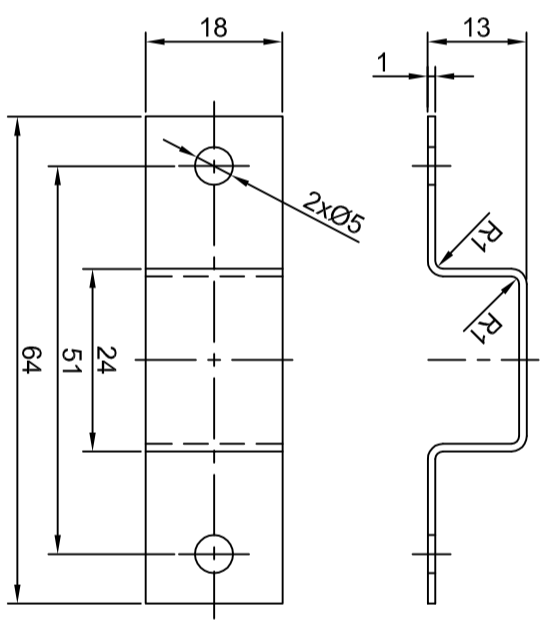


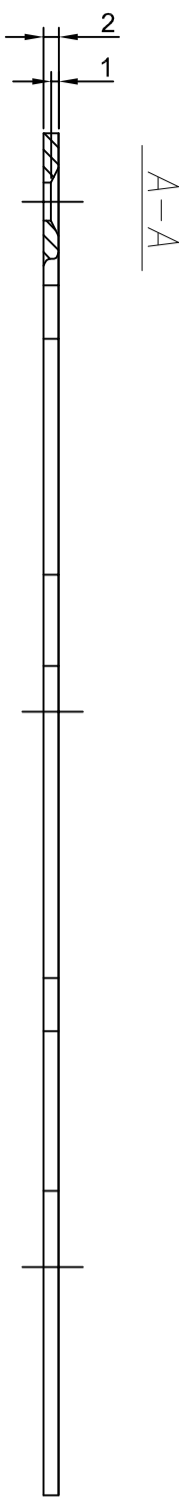
2



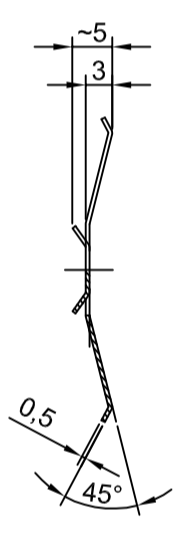
6



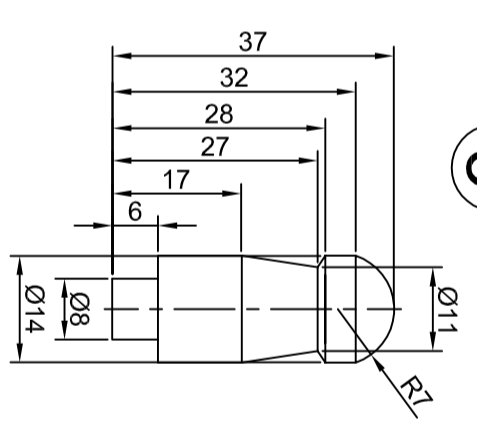
1



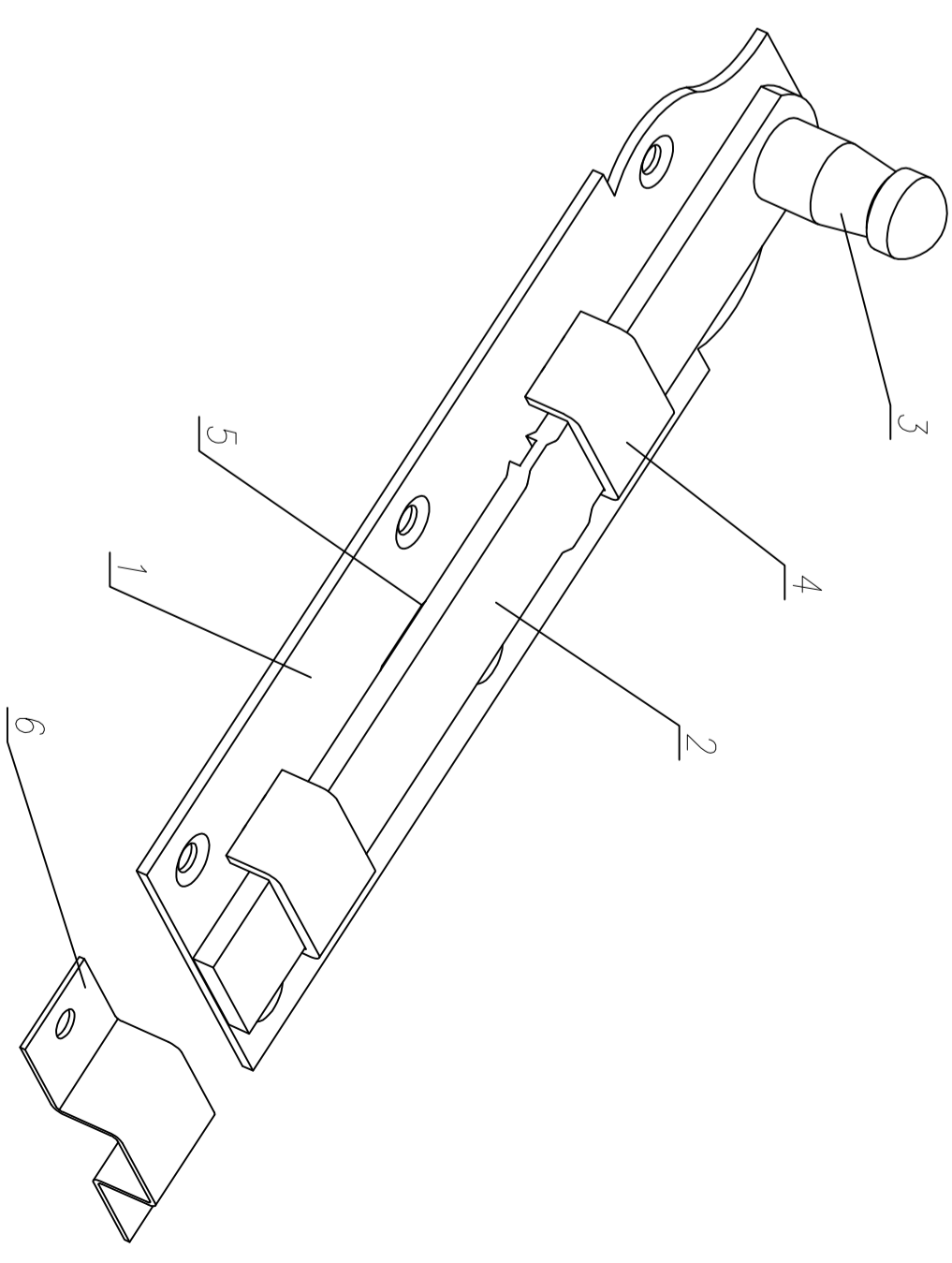
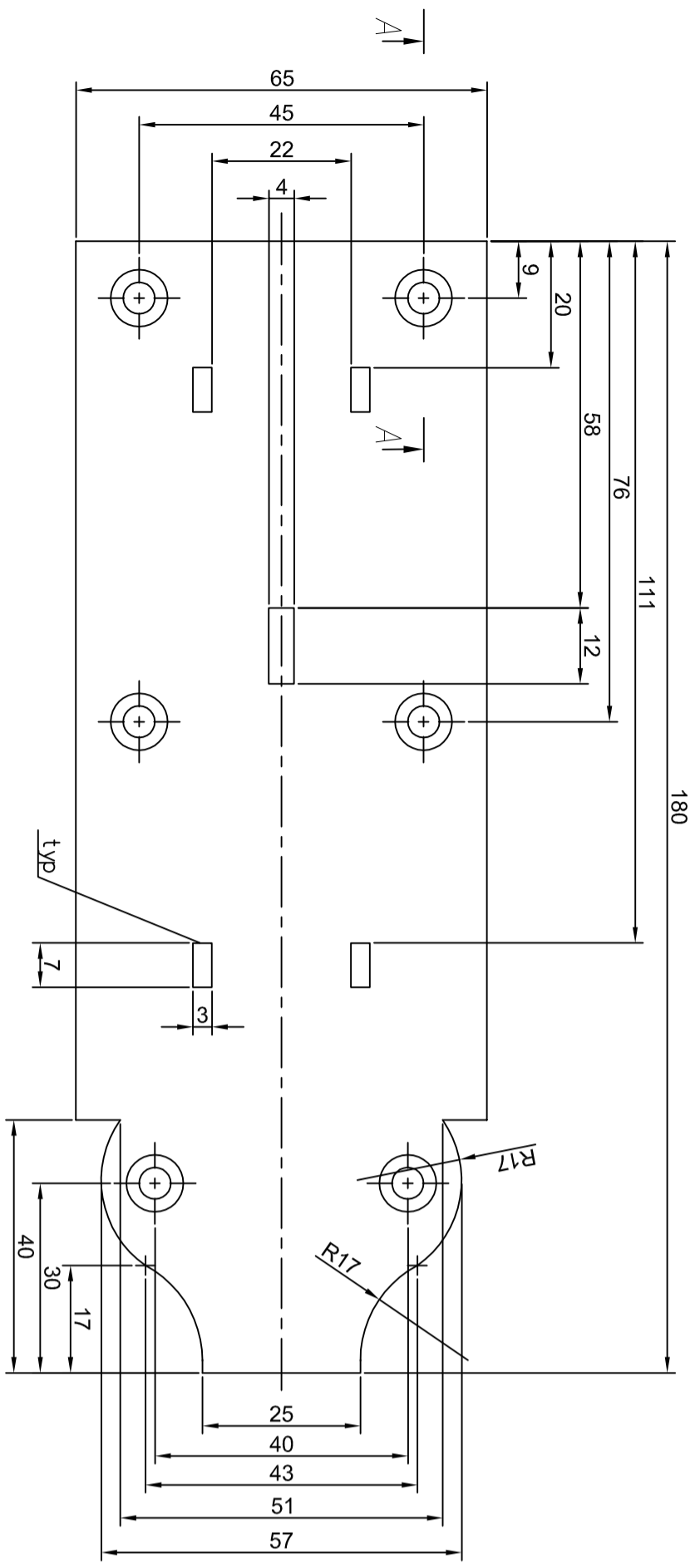
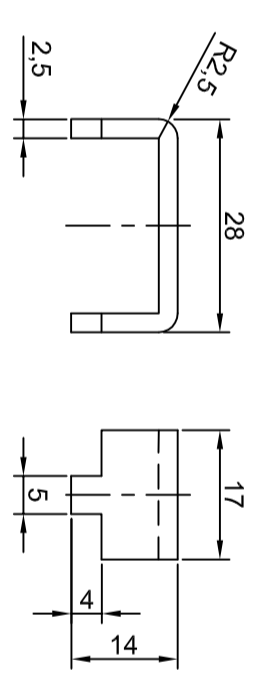
5



3



4



Nr.	Name	Drawing nr	Material	Amount	Weight	Notice
6	Ear		DC01	1		
5	Spring		DC01	1		
4	Bolt fixing		DC01	2		
3	Holder		DC01	1		
2	Bolt		DC01	1		
1	Base		DC01	1		

Name	Date	Signature
Design	DOMAX	
Draw	B.S.	
Check	W.S	
Name		



Al. Parku Kropotkowskiego 109  
Leżyca, 84-207 Kaleszkiwo  
tel. 058 665 82 22  
fax. 058 665 81 20  
www.dmxsystem.com

Door bolt, straight