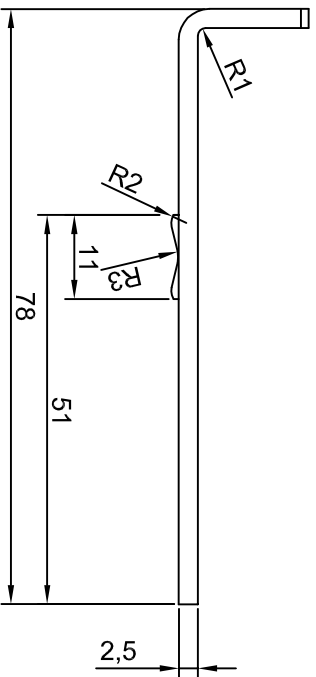
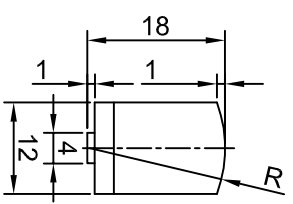
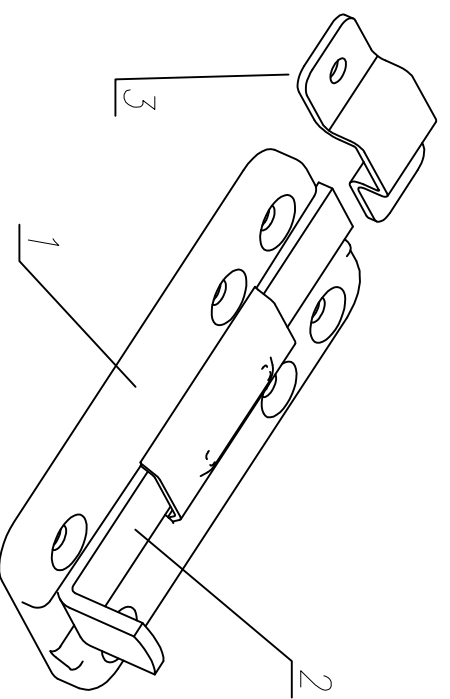


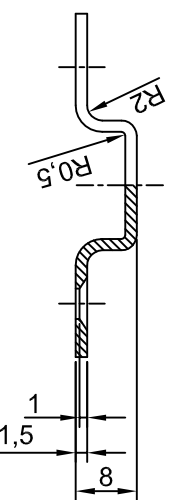
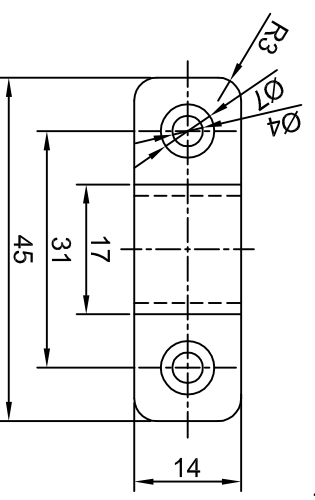
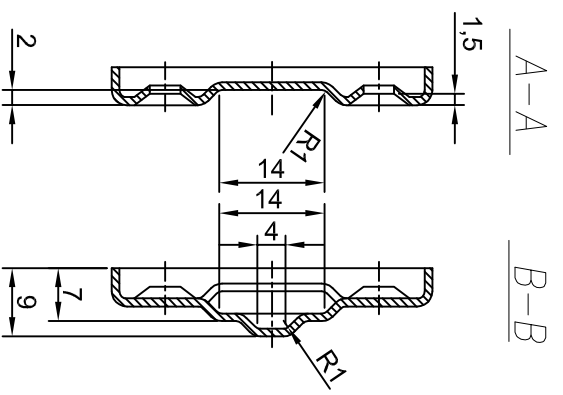
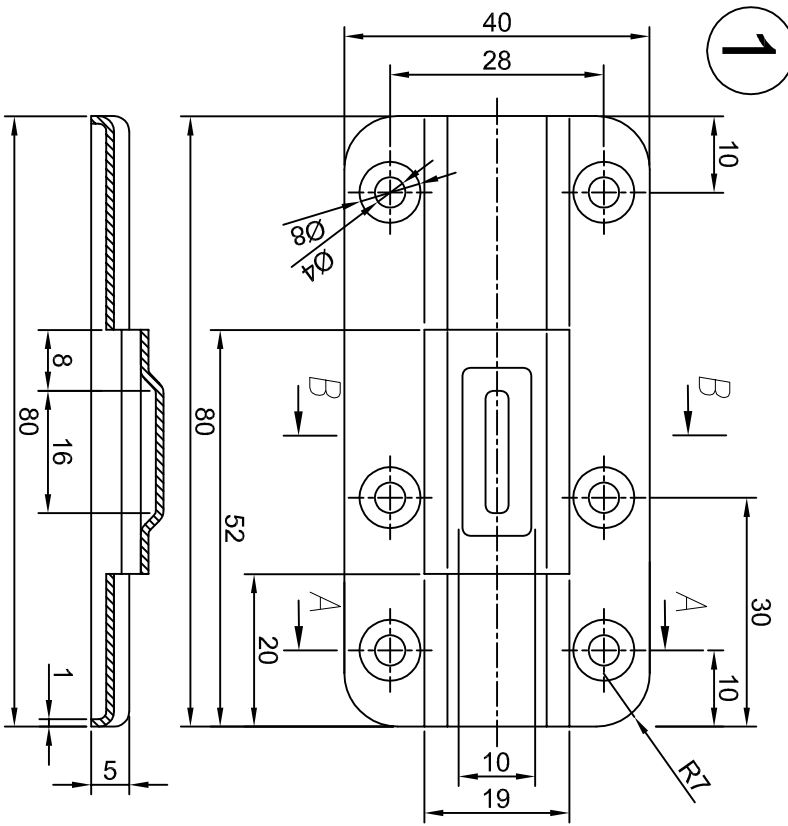
2



3



1



Nr.	Name	Drawing nr	Material	Amount	Weight	Notice
3	Ear		DC01	1		
2	Lock		DC01	1		
1	Base		DC01	1		

Design	DOMAX	Name	Date	Signature
Draw	B.S.	Name	Date	Signature
Check	W.S.	Name	Date	Signature



Al. Parku Krajobrazowego 109  
 Lężyca, 84-207 Kołaczkowo  
 tel. 058 665 82 22  
 fax. 058 665 81 20  
 www.dmxsystem.com

ROX BOLT