

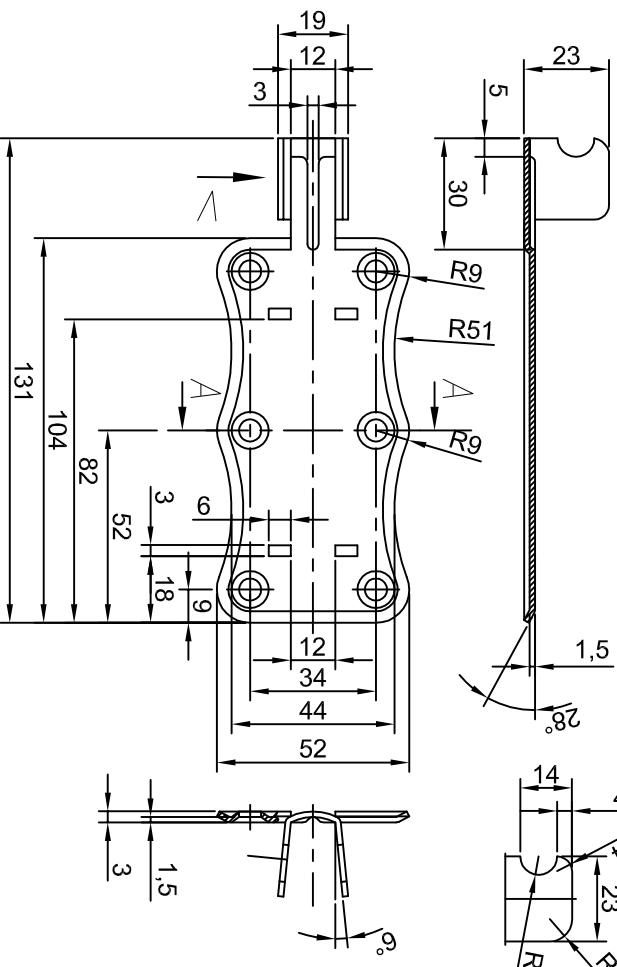
1

2

6

5

4

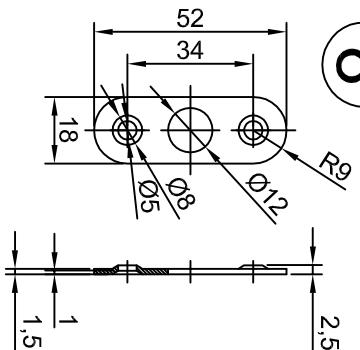
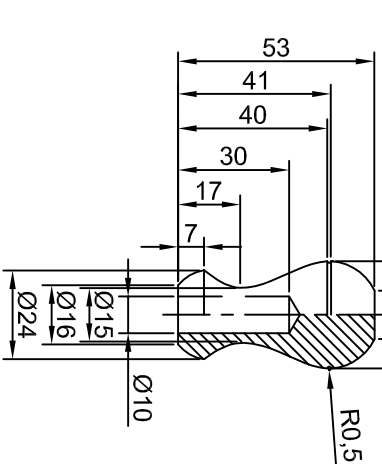


VIEW "V"

7

8

3



Galvanizing - gold colour

Nr.	Name	Drawing nr	Material	Amount	Weight	Notice
8	Ear			1		
7	Lock			1		
6	Spring			1		
5	Washer			3		
4	Shutter fixing			2		
3	Holder		wood	1		
2	Shutter			1		
1	Base			1		

Name	Name	Date	Signature	Material	Amount	Weight	Notice
Design	DOMAX						
Draw	B.S.	15.03.2010					
Check	W.Siewkowski	24.03.2010					



Al. Parku Krojbrozowego 109
 Łężyce, 84-207 Kołeczkowo
 tel: 058 665 82 22
 fax: 058 665 81 20
 www.dmxsystem.com

PULL SPRING BOLT

Scale	Paper	Symbol	dr. nr/dr.
1:1	A3		1/1

WSP 150