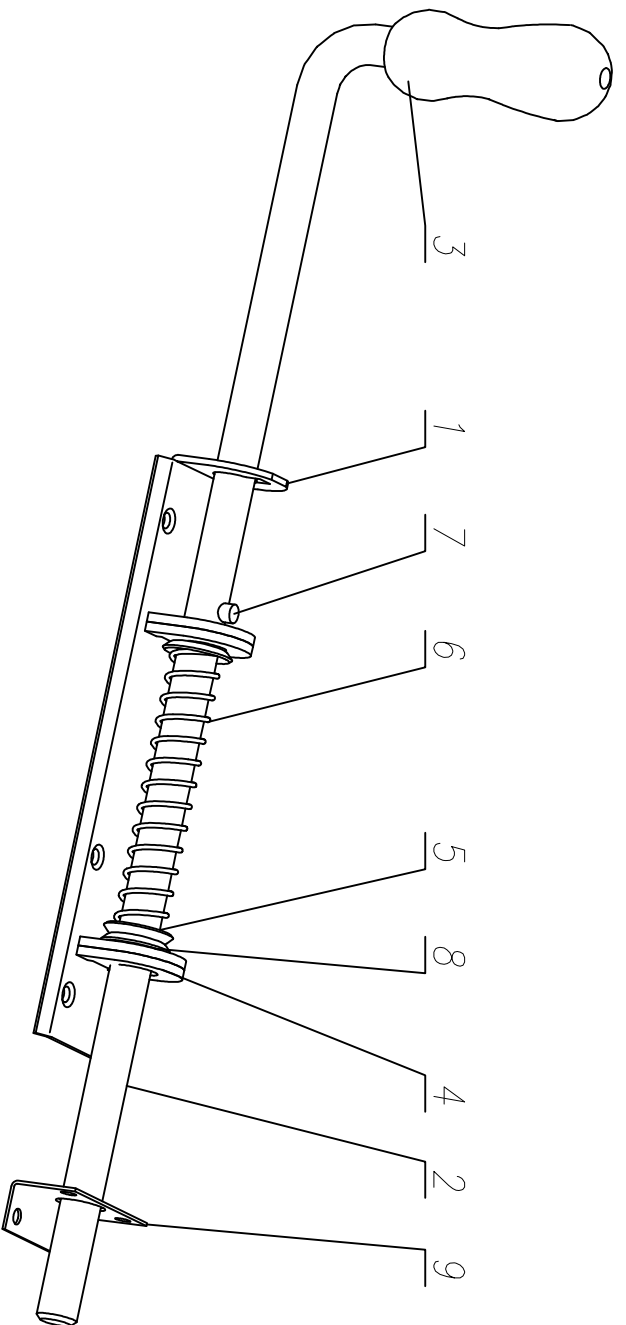



Galvanizing - gold colour



Nr.	Name	Drawing nr	Material	Amount	Weight	Notice
9	Ear			1		
8	Lock 2			1		
7	Lock 1			1		
6	Spring			1		
5	Washer			3		
4	Shutter fixing			4		
3	Holder		wood	1		
2	Schutter			1		
1	Base			1		

Name	Date	Signature
Design	DOMAX	
Draw	B.S.	15.03.2010
Check	W.Siewkowski	24.03.2010

	
Al. Parku Krojobrazowego 109 Lężyca, 84-207 Kołaczkowo tel. 058 665 82 22 fax. 058 665 81 20 www.dmxsystem.com	

PULL SPRING BOLT

Scale 1:1

Paper A3

Symbol

WSP 420

dr. nr./dr. 1/2